

DESCRIPTION

The MILA-1 (Mic/Instrument-Line Amplifier) is a compact three-stage triode amplifier intended to amplify low- and high-impedance microphones and instruments to line level. It may also be used in a mixing system as a program amplifier following a passive combining network. It features high gain, low noise and flexible modes of operation.

INPUTS

Low-Z (2K load): For low-level signals from a source impedance of approximately 150-200 ohms. With switchable 20dB attenuator. Balanced and transformer-coupled. High-Z (1M load): For low to moderate signal levels from low or high source impedances. Unbalanced.

OUTPUT

Balanced and transformer-coupled. Source impedance: 58 ohms. Minimum load impedance: 600 ohms. Maximum output level before onset of clipping: +24dBu (12.3 volts RMS) into a load of 5K or greater, or +20dBm (7.75 Volts RMS, or 100mW) into a 600-ohm load.

GAIN

Maximum gain from low-Z input to output is variable between +54 and +66dB in three 6dB steps using the Range switch. The Gain control provides continuous adjustment from "off" up to maximum. Subtract 20dB when engaging the switchable pad, or when using the high-Z input.

FREQUENCY RESPONSE

(From low-Z input to output, +20dBm output level, 200-ohm source, 600-ohm load): +/-0.5dB, 20Hz to 20kHz, +54 or +60dB gain +0.5, -1dB, 20Hz to 20kHz, +66dB gain

DISTORTION

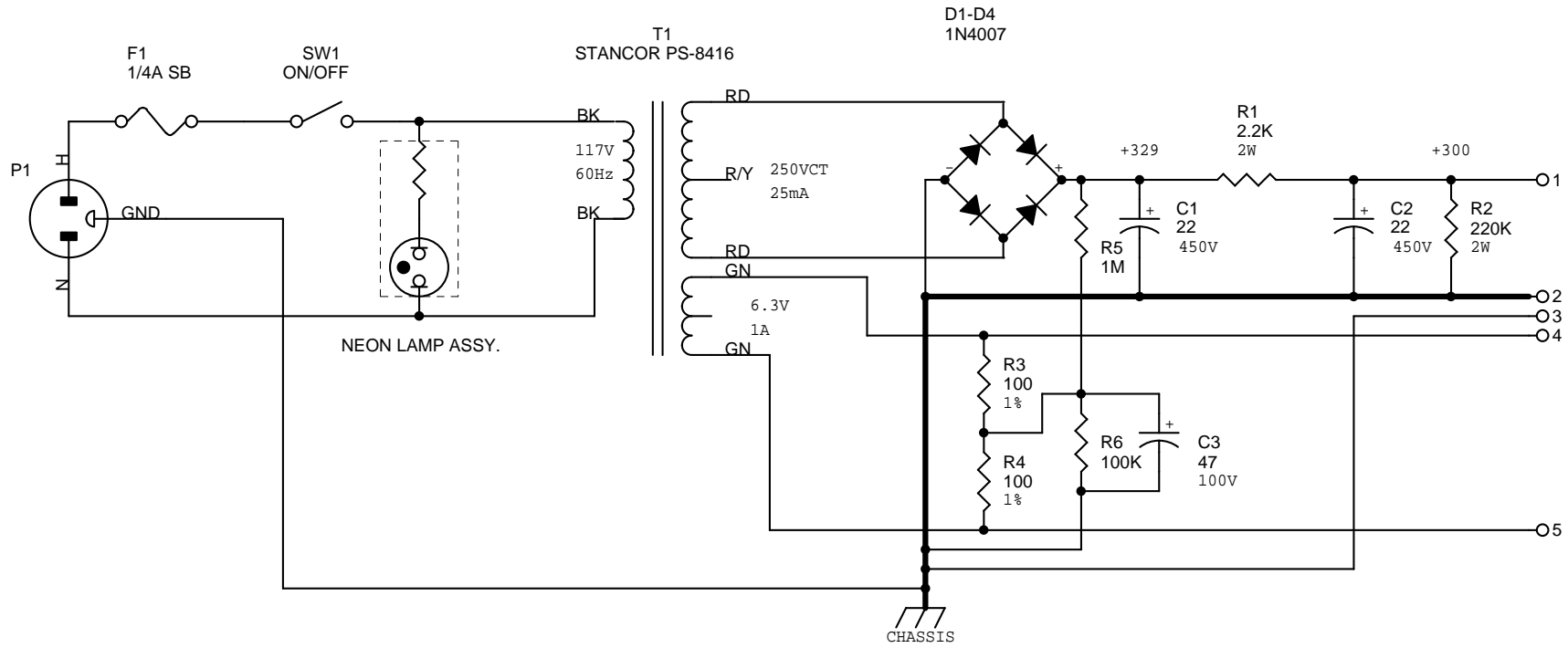
THD+N (1kHz, 200-ohm source at Low-Z input, +54dB gain): 0.1% at +4dBu, 0.3% at +14dBu, 5K load 0.1% at +4dBm, 0.5% at +14dBm, 600-ohm load IMD+N: As above.

HUM AND NOISE

200-ohm source, 600-ohm load, 20kHz bandwidth, unweighted. Equivalent Input Noise (EIN): -127dBu at +66dB gain -126dBu at +54 or +60dB gain

DESCRIPTION AND SPECIFICATIONS

Title			MILA-1		
Size	Document Number				Rev
A	by "New York Dave"				A
Date:	Friday, June 09, 2006	Sheet	1	of	1



POWER SUPPLY CHASSIS		
Title		
MILA-1		
Size A	Document Number	Rev A
Date: Friday, June 09, 2006		Sheet 3 of 3

This document was created with Win2PDF available at <http://www.daneprairie.com>.
The unregistered version of Win2PDF is for evaluation or non-commercial use only.